

IKOM



ZM-AR series Asphalt Recycler



Hangzhou IKOM Machinery Co.,Ltd



ikomtech



[ikommachinery](https://www.facebook.com/ikommachinery)

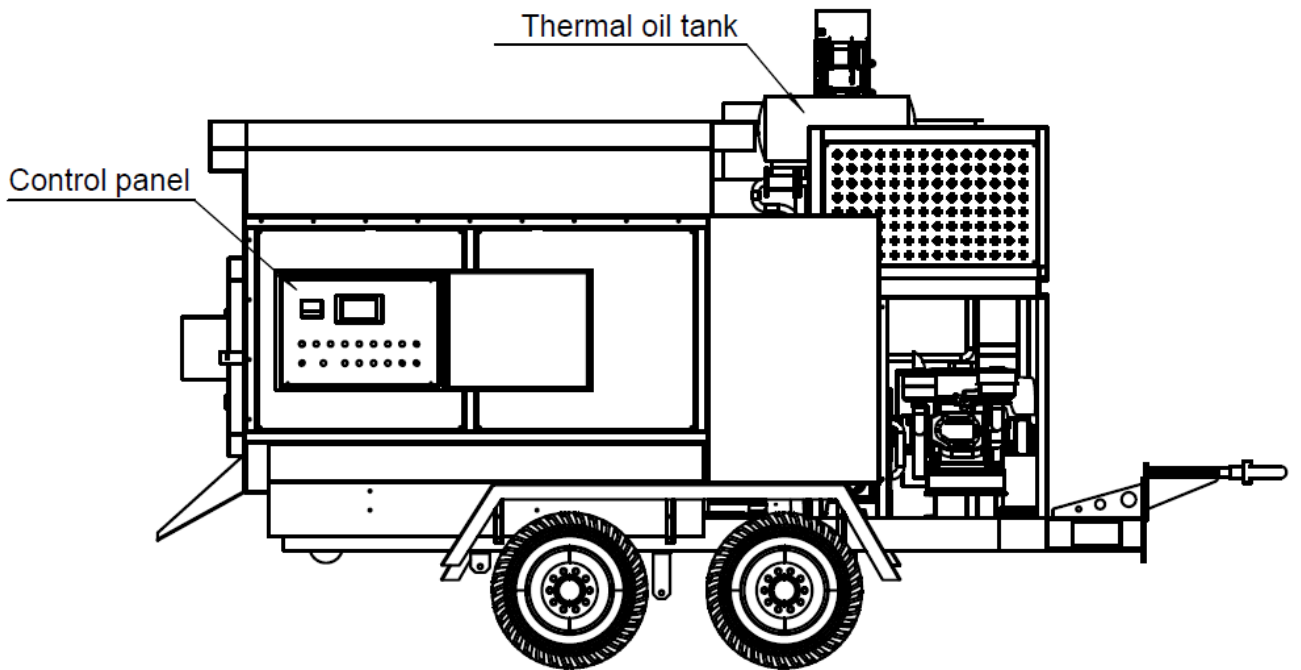
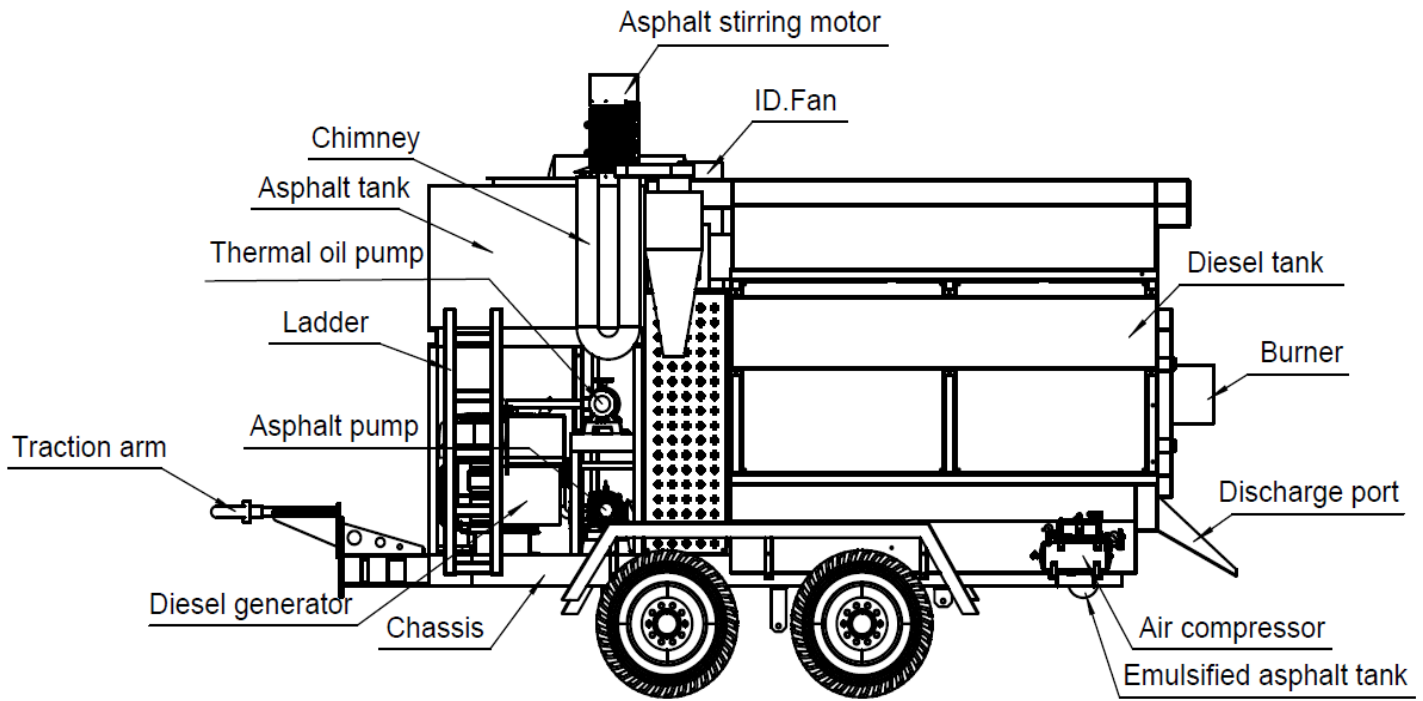
[YouTube](https://www.youtube.com/ikom)

[@ikom](https://www.instagram.com/ikom)

Specifications

Model	ZM-AR1000	ZM-AR1500
Dimension	4200x2000x 2150	4200x2150x2580
Productivity	2-3T/H	3-4T/H
Chassis	Trailer, 2 axes	Trailer, 2 axes
GVW	2800KG	3400KG
Generator output power	12 kw	15kw
Engine power	Changchai 12kw	Changchai 15kw
Maximum capacity of batch heater	1000L	1500L
Max batch heater loading	800kg	1000kg
Asphalt tank capacity	750L	750L
Working voltage	Three-phase 380V, 50hz	
Max operating temperature of heat transfer oil	230°C	
Heating controller	Siemens 	
Buner for asphalt tank	RIELLO G10, Italy 	
Buner for batch heater	RIELLO G20, Italy 	
PLC Controller	Siemens 	
Touch Screen		
Dust remove system	Water spray dust removal system	
Emulsion hand sprayer	Air compressor with 20L tank	

Structures



Features



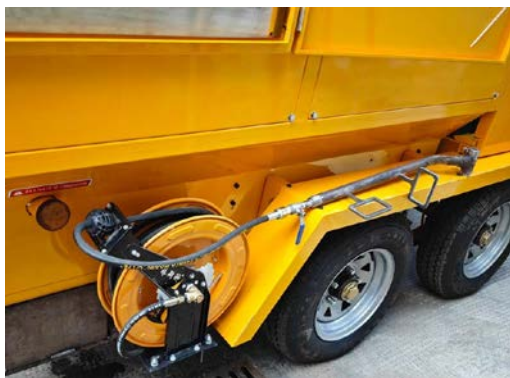
Overall

AR series asphalt recyclers can be used for asphalt recycling, aggregate mixing and heating, and pothole repair on roads of all levels. All components are made with electrophoresis technology, which is durable and corrosion-resistant.



Drum mixer

The drum mixer is made of high-strength wear-resistant steel. The sinking layout structure makes loading and discharge easier. The 200,000 kcal Italian RIELLO burner ensures sufficient thermal efficiency.



Dual asphalt supply system

The hot asphalt is heated by a burner, insulated by thermal oil, and stirred by a motor. It can be accurately pumped into the mixing drum.

The emulsified asphalt is transported to our innovative hand spray gun through an air compressor and evenly sprayed on the repaired potholes.



Environmental protection

This equipment adopts a fully enclosed structure. All smoke and dust enter the water spray dust removal system through the induced draft fan, avoiding environmental pollution.



Integrated PLC control system

the motors buttons are controlled at the center Siemens PLC panel for easy operation. All the processes are shown on the KINCO color touch screen.

Product pictures:





Factory Profile



IKOM Construction Machinery, China **Top 3 asphalt truck brand**, located in Hangzhou, it is the subsidiary company of ZHUMA Construction Machinery Group, The ZHUMA passed the ISO9001:2000 international quality system certification and products 3C authentication, the products cover Chip sealer, Slurry sealer, Concrete paver, Asphalt finisher, Chipping spreader, Bitumen decanter, emulsion plant and 50 various models, and gradually realize the product standardization and serialization and industrialization.

Our engineer team has 20 years experiences focused on Asphalt machinery technology, and our brand **footprints travel across 65 countries**. IKOM is committed to offering high quality, reliable products and service on time. Your satisfaction is our commitment. Let us be your trusted partner.

Certificates:





IKOM SERVICE COMMITMENT

More than 300 technicians have been trained in 35 countries

Set up spare parts centers in Southeast Asia, Africa, and Latin America.

For each model, a detailed operation video is taken in English or Spanish.

Live online answers and video trainings.

13 months warranty after the date of Ex-work.

The claimed parts will be sent by DHL or FEDEX within 3 days.

★★★★★
FIVE STAR SERVICE

